

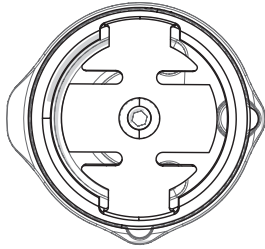
Thank you for purchasing the SCOPE COMPUTER MOUNT CONVERTER FOR STASH RT.

Please read these instructions thoroughly before attempting to install this item.
Proper installation is required for safe riding. Contact us or a bike mechanic if you are not sure with certain steps.

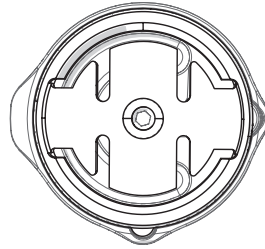
CONTENTS

| | | | |
|------------------------|------------|------------------------------------|------------|
| · Converter cap | 1 PC | · Plastic mount for Bryton | 1 PC |
| · M3 countersunk screw | 1 PC | · Plastic mount for Garmin / Wahoo | 1 PC |
| · M3 round head screw | 1 PC | · Spring washer | 1 PC |
| · Flat washer | 1 PC | | |

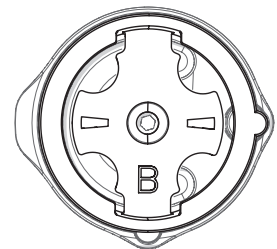
SCOPE MOUNT OPTIONS



Garmin



Wahoo

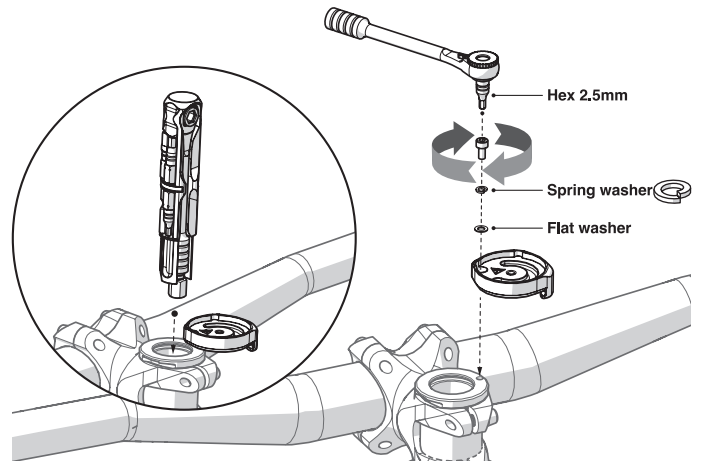
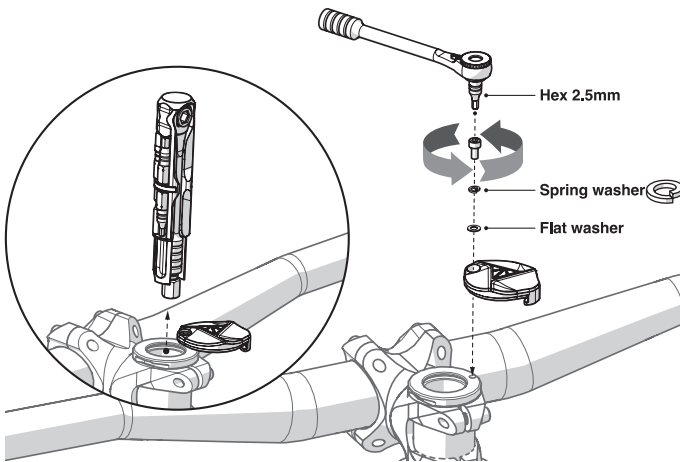


Bryton

SCOPE MOUNT INSTALLATION

1. Remove the ratchet tool kit from the housing. Loosen the top cap bolt and remove the top cap.

2. Install the top cap with Scope mount's top cap and tighten the top cap bolt. Check if the top cap turns smoothly. If it fails to work properly, simply loosen the top cap bolt for better adjustment result. Place the ratchet tool kit back into the housing.



3. After choosing the corresponding mounting option for your device, tighten the M3 countersunk bolt.

4. Install the device by turning it clock-wise against the mount and go on turning it the same direction for removal.

