

Thank you for purchasing the STASH TOOL KIT AIRTAG MOUNT.

Please read these instructions thoroughly before attempting to install this item.  
Proper installation is required for safe riding. Contact us or a bike mechanic if you are not sure with certain steps.

### TOOLS REQUIRED

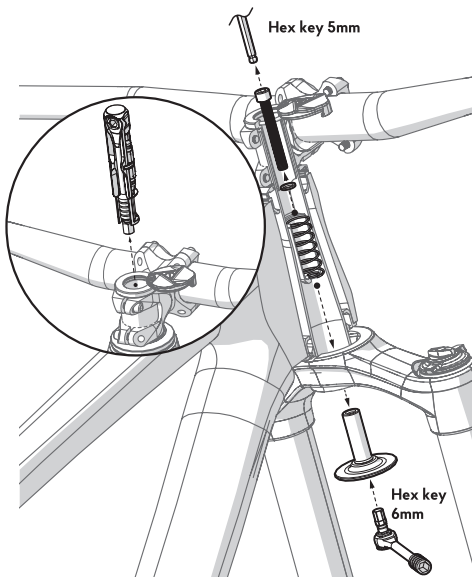
- Hex key 5mm
- Hex key 6mm

### CONTENTS

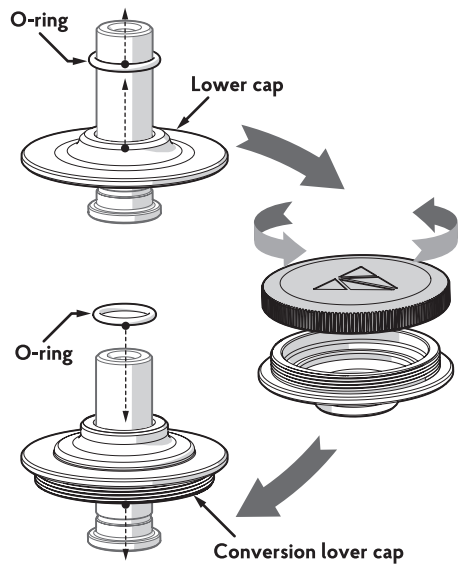
- Conversion lower cap ..... 1 PC
- Plastic cover ..... 1 PC

### AIRTAG MOUNT INSTALLATION

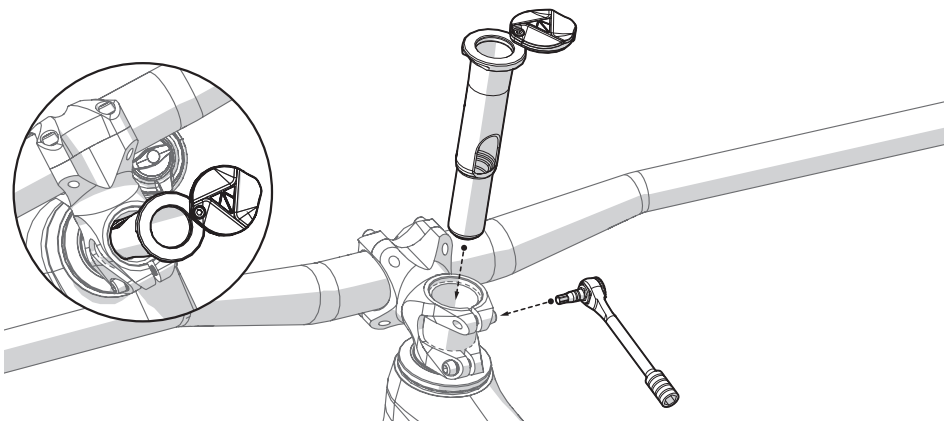
1. Remove the ratchet tool kit from the tool housing. Loosen the M6 bolt and remove the lower assembly from the fork.



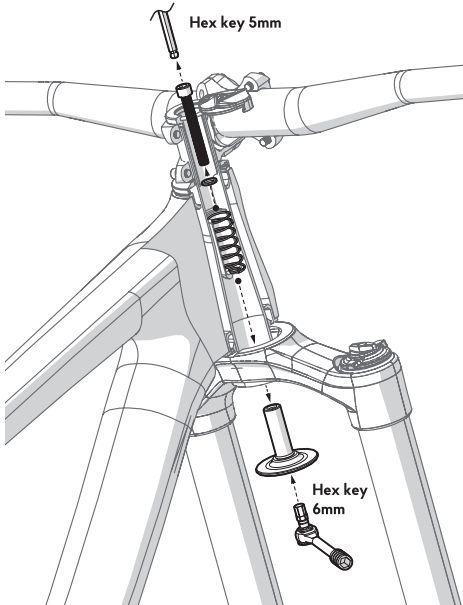
2. Remove the o-ring and the center nut from the removed lower cap. Loosen the plastic cap and install o-ring and center nut into conversion lower cap.



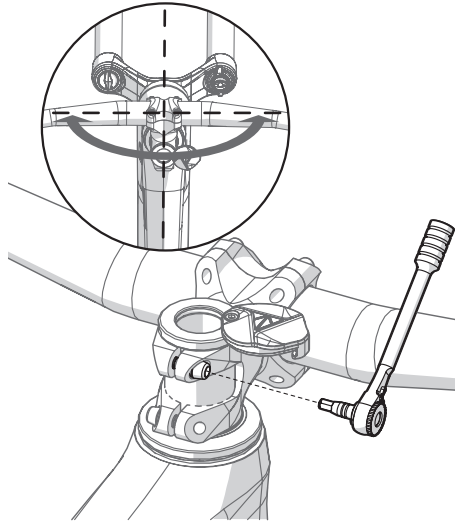
3. Insert the tool housing into the steerer tube and loosen the stem bolts. Make sure the top cap bolt is on the right-hand side.



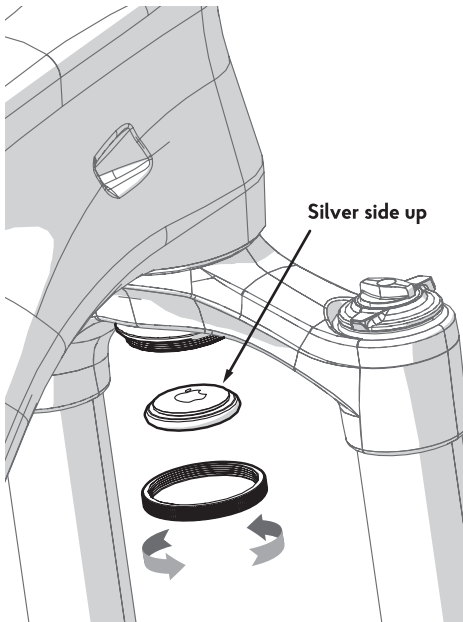
4. Insert the M6 bolt with spacer and spring through the bottom hole of the tool housing. Please note the spring must be pinned under the bolt and spacer. Tighten the M6 bolt to compress the headset assembly to 2-3Nm torque. There should be no gap between the stem and headset stack and the headset should turn smoothly.



5. **⚠️** Align the stem to the front wheel and then tighten the stem bolts according to the stem manufacturer's instruction. Make sure the stem bolts are tightened before riding. Riding with a loose stem can result in serious accidents.



6. Place the AirTag into the mount with the silver side facing upward and tighten the plastic cover.



7. Place the ratchet tool kit back into the housing.

