

Thank you for purchasing the SCOPE COMPUTER MOUNT CONVERTER.

Please read these instructions thoroughly before attempting to install this item. Proper installation is required for safe riding. Contact us or a bike mechanic if you are not sure with certain steps.

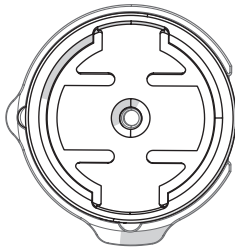
TOOLS REQUIRED

- Hex key 1.5mm
- Hex key 2mm
- Hex key 2.5mm
- Hex key 4mm
- Hex key 5mm

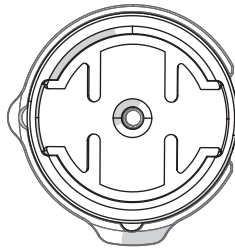
CONTENTS

- | | | | | | |
|------------------------------------|-------|------|------------------------|-------|-------|
| · Converter cap | | 1 PC | · 3mm stainless balls | | 2 PCS |
| · Plastic mount for Bryton | | 1 PC | · M3 countersunk screw | | 1 PC |
| · Plastic mount for Garmin / Wahoo | | 1 PC | · M4 countersunk screw | | 1 PC |

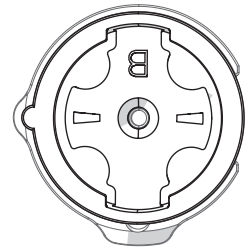
SCOPE MOUNT OPTIONS



Garmin



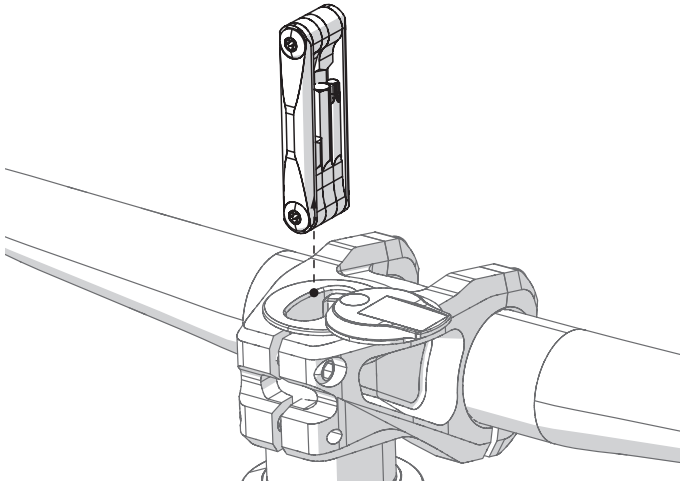
Wahoo



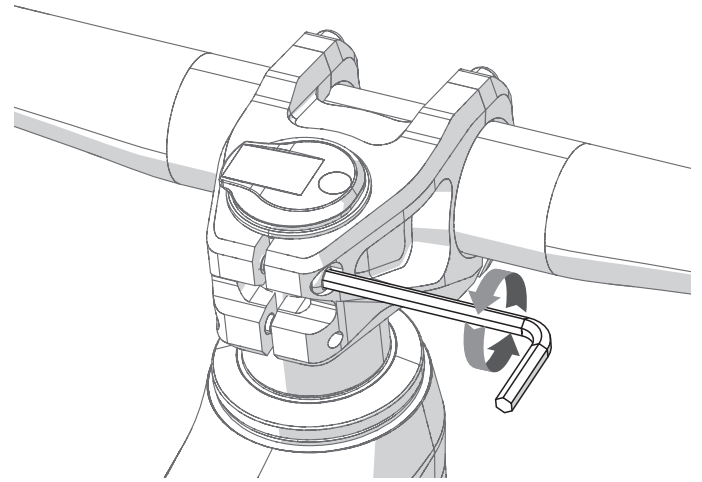
Bryton

SCOPE MOUNT INSTALLATION

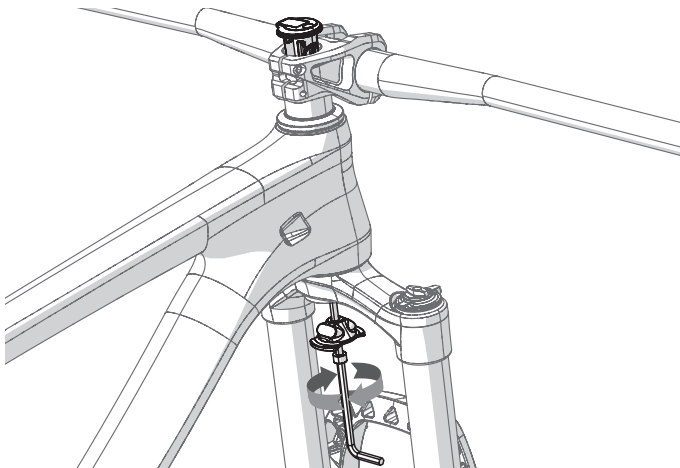
1. Remove the multi-tool from the SWAT housing.



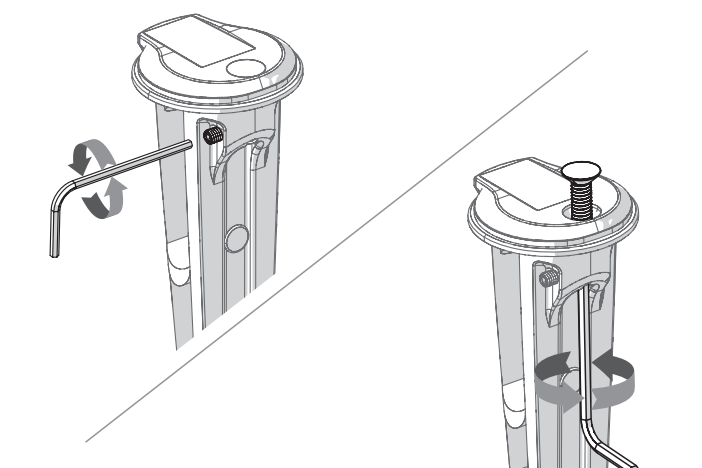
2. Loosen the stem bolts that clamp the steerer tube.



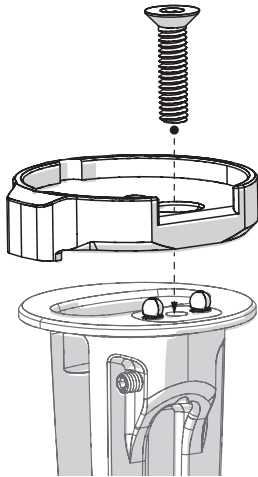
3. Remove the SWAT tool housing by loosening the M5 bolts at the bottom of the steerer tube.



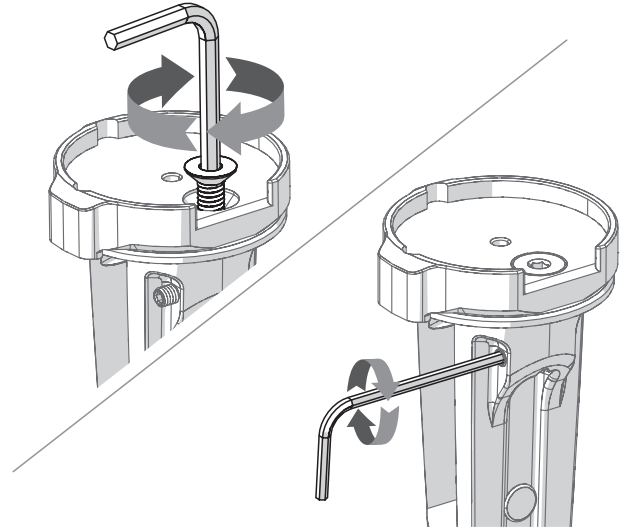
4. Loosen the M3 set screw with the 1.5mm Hex key, then use the 2mm Hex key to remove the M4 bolt from the top cap.



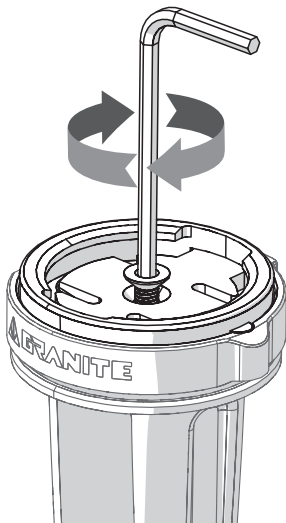
5. Replace the top cap with Scope mount's top cap. Please note that there are two stainless balls underneath it and two spare ones in the package, in case of potential damage or loss during the installation.



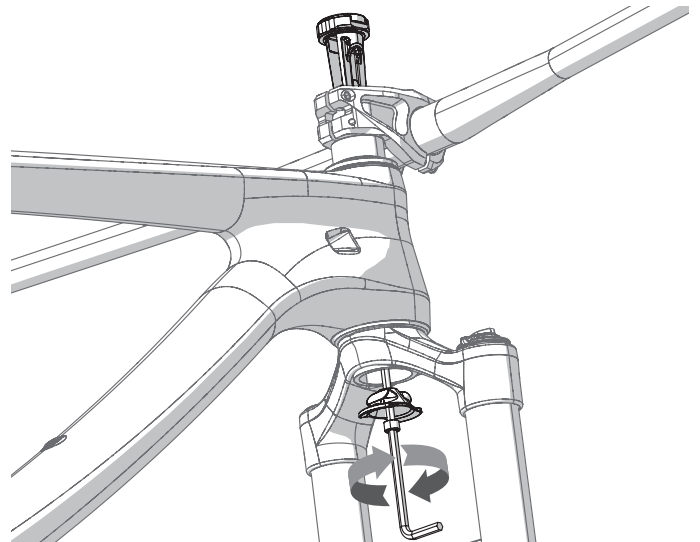
6. Tighten the M4 countersunk bolt and check if the top cap turns smoothly. If it fails to work properly, simply loosen the M4 bolt for better adjustment result. Lightly tighten the M3 set screw to lock the M4 bolt in place.



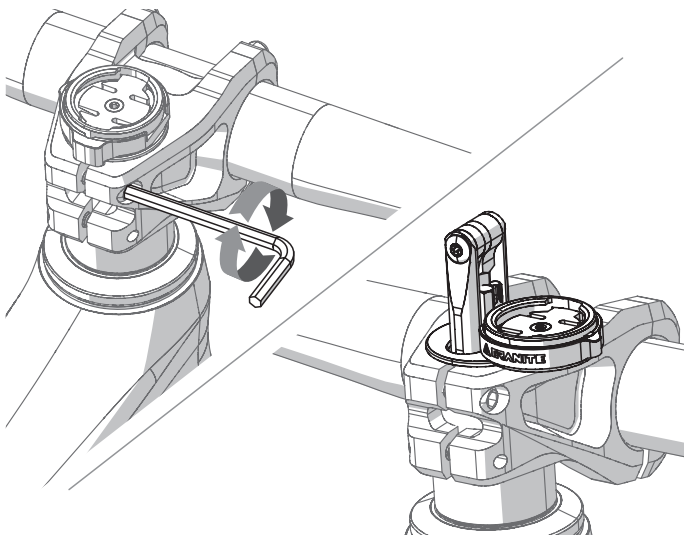
7. After choosing the corresponding mounting option for your device, tighten the M3 countersunk bolt.



8. Place the SWAT housing back into the steerer tube and tighten the M5 bolt from the bottom.



9. Tighten the stem bolts according to the manufacturer's instruction, and put the multi-tool back into the housing.



10. Install the device by turning it clock-wise against the mount and go on turning it the same direction for removal.

